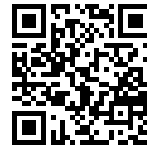


INTRIGO 530 COPPER SOUS PLAN

Kitchen Sinks

Code: N453 S48

VASCA INTRIGO mm 530x400 R12 SOUSPLAN COPPER



DETAILS

Edge/Installation Type Undermount

Finish PVD

Material AISI 304 stainless steel

Coloring Copper

Texture Foster brushed

Base 80 cm

Dimensions 570x440 mm

Standard fittings Fixing hooks, gasket, drain, overflow and siphon, boxed packing

Mixer holes No standard holes

Built-in hole [View technical data sheet](#)

Drainer No

Width 57 cm

Bowl dimension 530x400mm

Number of bowls 1 bowl

Waste fitting Drain SPACE 3,5"

Notes: As the product consists of a single seamless steel surface with no gaps or interstices, the use of garbage disposal and waste fitting with automatic control is not permitted.

FEATURES

Copper The Copper finish is obtained by treating steel with a physical process called PVD (Physical Vacuum Deposition) which deposits particles of noble metals on the surface. The result is a unique and refined aesthetic effect, and an improvement of the mechanical properties of the steel which is more resistant to impact and scratches.

ONE SEAMLESS STEEL SURFACE The waste-fitting and overflow are moulded on the sink. The product is therefore made out of one seamless steel surface, without gaps or interstices. A great plus in terms of hygiene.

Perimetral overflow The overflow is always a security on the Foster sinks that prevents the overflow of water in case of oversights. The perimeter drain solution improves aesthetics thanks to its square and essential shape.

Small radius Bowls with squared shapes with a modern design and an increased capacity, for a minimal aesthetics connected with an extreme practicality.

Deep bowls This bowls reach an important depth, over 20 cm, thanks to the advanced production technology, that can be offer great capiciency and practicality in all the washing operations.

High thickness

1mm thick steel. A significant thickness, which guarantees the maximum sturdiness and durability.

Space waste fitting

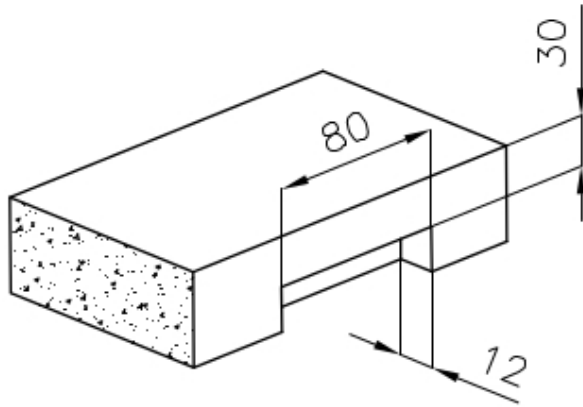
The elegant SPACE steel cap closes the drain and leaves no visible residues collected in the basket below. Space also has a small footprint and allows the optimal use of the under-sink compartment.

Save space system

Drain and siphon are designed to leave as much space as possible in the under-sink area, more and more useful today for theseparate waste collection systems.

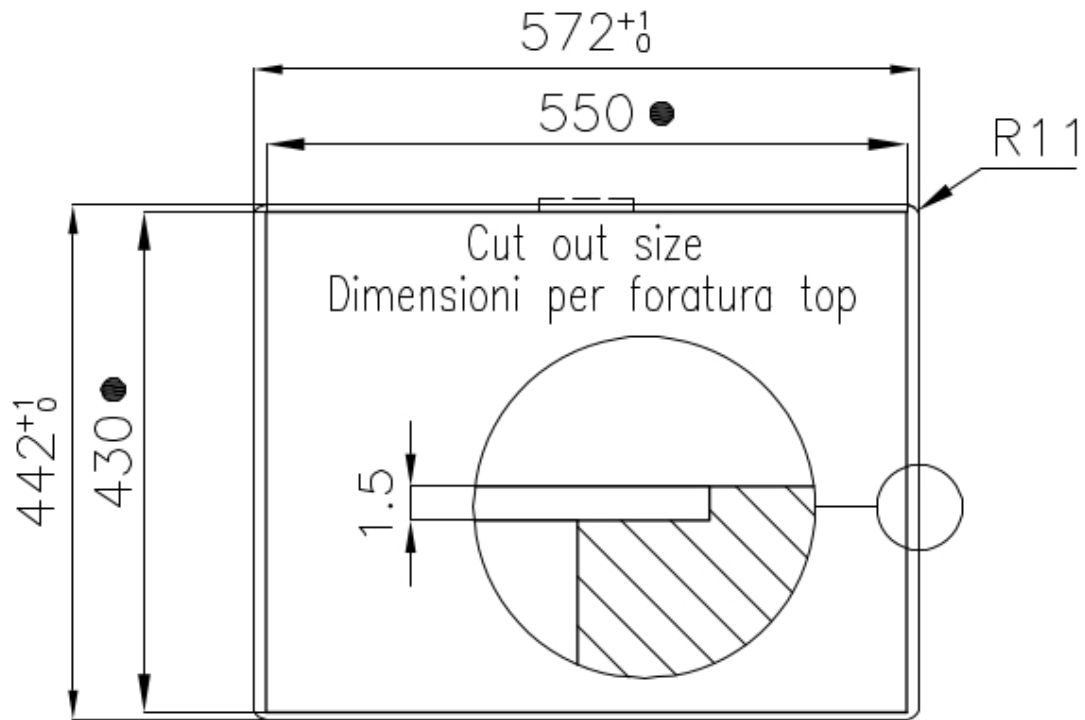
TECHNICAL DATA





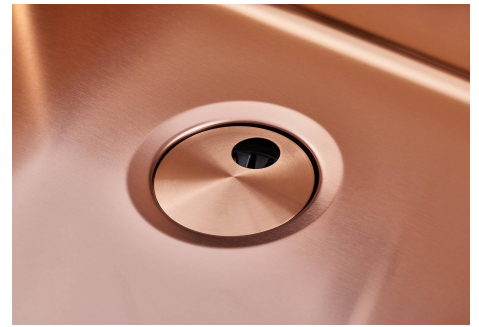
intaglio per il troppo-pieno
solo con top > 30 mm

recess for housing the over-flow
only for top > 30 mm



- Built-in cut out for FTS – Foratura per installazione FTS

GALLERY



OPTIONAL ACCESSORIES



**PANIER INOX POUR CUVE 34x40
CM**
A611 F00



**PLANCHE DE DECOUPE CRYSTAL
23x41 CM**
A631 C00



**PLANCHE DE DECOUPE DOUBLE
IROKO**
A644 F44



**PLANCHE DE DECOUPE DOUBLE
HDPE**
A644 A01



**PLANCHE DE DECOUPE DOUBLE
IROKO**
A644 F04



CUVETTE PERFOREE INOX
A154 F00
* only in combination with the accessory
A644 F04



CUVETTE PLASTIQUE BLANCHE
A153 A00



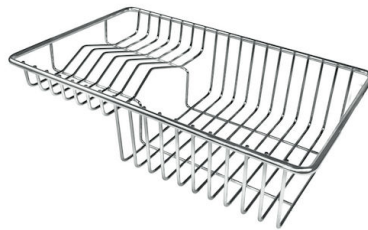
GRILLE PORTE-ASSIETTES INOX
25x35
A100 A54
* only in combination with the accessory
A644 F04



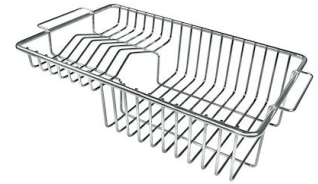
KIT RÂPES ET PLANCHE DE
DECOUPE HDPE
A159 A01
* only in combination with the accessory
A644 A01



CUVETTE INOX PERFOREE
A151 F00
* only in combination with the accessory
A644 A01



GRILLE POR.ASSIETTES INOX
mm214x379
A100 C03
* only in combination with the accessory
A644 A01



GRILLE PORTE-ASSIETTES INOX
250x425
A100 B01

RECOMMENDED PAIRINGS



INCISO GUN METAL
R424 S56